



**SCARAB**  
FAYAT GROUP

**M25H**

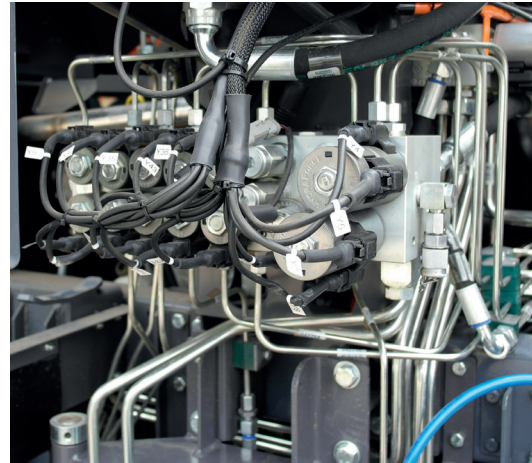
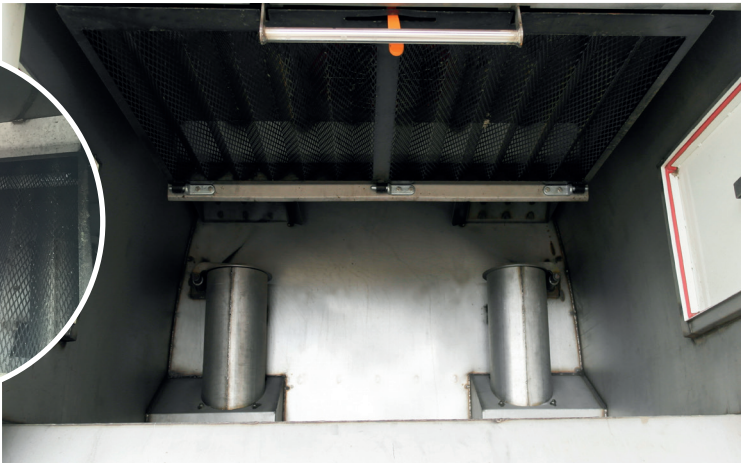
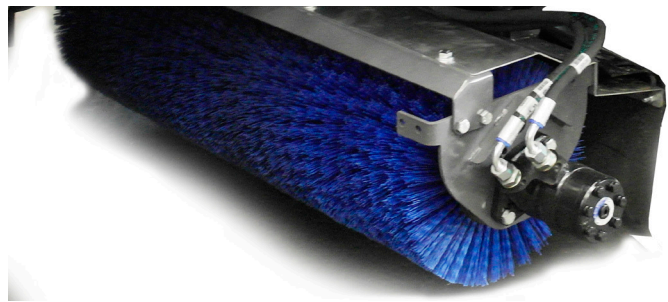




Trailed, robust, steel suction nozzle for durability. Complete with trailed side brush, widesweep brush and optional front brush assemblies all fitted with water nozzles for dust suppression.

The hopper and internal screens are completely manufactured from abrasion resisting Stainless Steel.

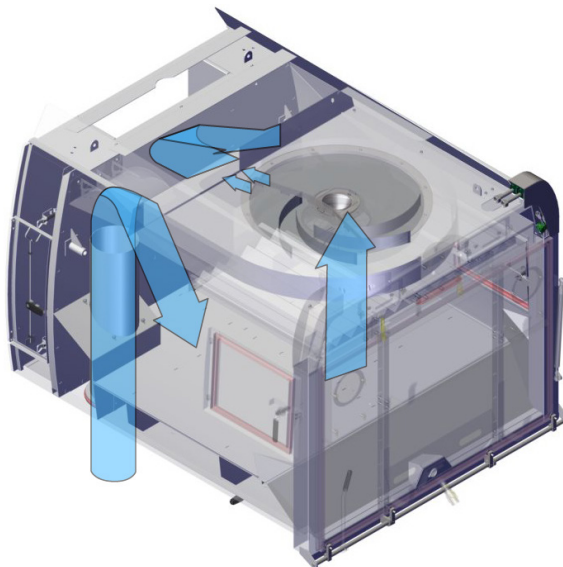
Hydraulic system makes extensive use of steel piping to minimise the use of flexible hoses.



## Powerful & Reliable Suction Performance

A stainless steel 800mm impellor positioned to produce an efficient airflow path for high suction performance and reduced power consumption.

Particulate screening via a hinged, stainless steel mesh filter, pleated to give maximum surface area and reduce blocking. Fan chamber is easily accessed for cleaning.



## All Day Comfort



The spacious sound proofed cab has great visibility and has been ergonomically designed, all sweeper functions are within easy reach, and with multiple storage areas, cup holders and the fully adjustable high backed seats with headrests will mean you will be able to work all day in comfort.

# The M25H

## A FULL SIZE SWEEPER IN A COMPACT PACKAGE

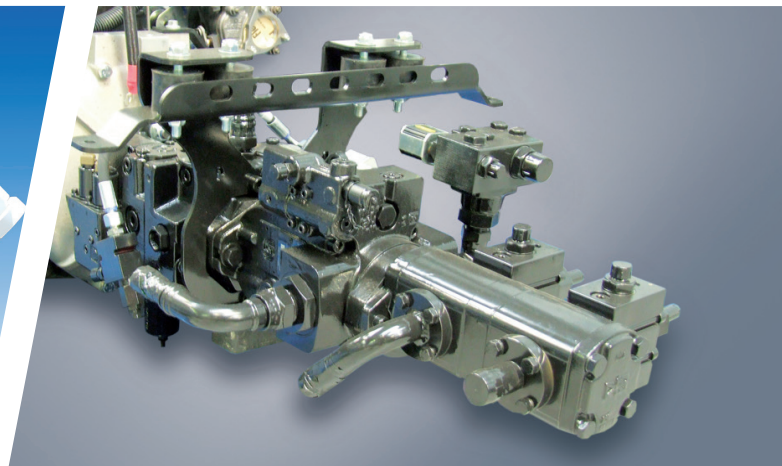
The Scarab M25H with its unique brush configuration and powerful suction performance combined with its large hopper and water capacity go towards making it the most versatile small truckmount sweeper in the world. The custom built chassis allows for both a smooth ride and a tight turning circle and with its long-range 65kph top speed, allows the M25H to be tasked at not only sweeping in congested city centres but also allows the vehicle to travel and sweep in remote locations.

### Engine & Transmission

The low-emission Stage IIIB turbo charged Deutz power unit provides ample power at low revolutions and its position, set low in the chassis, enhances vehicle stability. Access to all engine filters and service points is afforded by means of the tilting cab and raising the hopper.

The Scarab fluid drive system is directly coupled to the engine to provide power to the transmission and all hydraulic services. It ensures smooth and infinitely controllable drive characteristics in both sweep and travel modes as well as a quiet and efficient sweeping and suction performance.

**Permanent clutch-free, single-pedal control.**  
**Custom Chassis with a tight turning circle.**  
**Efficient sweeping and suction performance.**



## Command & Control

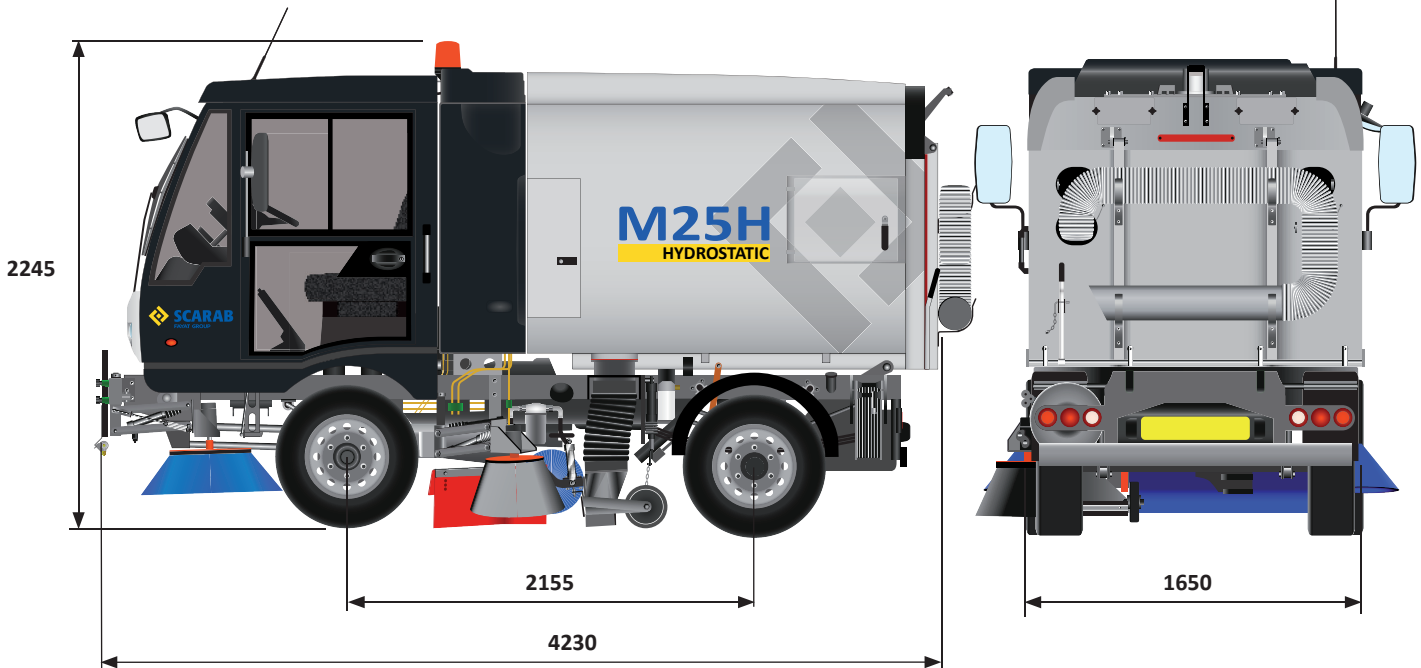


Scarab's CANbus control system has revolutionised the way sweepers are operated and maintained. Intuitive controls and a conveniently positioned colour monitor in the roofline provide comprehensive levels of feedback to both operating

and service personnel. A graphical display indicates the sweeping configuration and conditions of the vehicle systems including warnings and regular service reminders. Real-time monitoring and data-logging provides valuable assistance

in resolving problems and achieving optimum machine performance. Scarab CANbus includes universal connectors for fitment of Global positioning System (GPS) and the option of real-time data via telematic up-link.

All Dimensions in mm



\*Dimensions representative and may vary according to options selected

General Data	
GVW	3.5 or 4.5 Tonnes
Wheelbase	2155mm
Overall Length*	4230mm
Overall Height*	2245mm
Discharge Height	750mm Std, 1600mm Hi-Tip
Discharge Angle	45 degrees
Door Opening Angle	90 degrees
Filter Mesh Type	Perforated Stainless Steel
Low Pressure Pump Output	23 lpm / 4.8 Bar
Hydraulic Suction Filtration	125 Micron
Hydraulic Return Filtration	20 micron
Fan Pump Displacement	45cc / rev
Gear Pump(s) Displacement	23cc / rev
Suction Fan Capacity	6900 ft <sup>3</sup> /min / 195m <sup>3</sup> /min
Suction Fan Diameter	800mm
Sweeping Speed	0-16 mph / 0-25 kph

Sweeping Equipment	
Front Brush Diameter	700mm
Side Brush Diameter	500mm
Widesweep Brush Diameter	320mm
Brush Speeds	60-120rpm
Side/Front Brush Life	80 Working Hours
Widesweep Life	125 Working Hours
Suction Tube Diameter	200mm
Nozzle Width	490mm

Capacities	
Hopper Volume**	2.1m <sup>3</sup> Nett
Hopper Volume**	2.5m <sup>3</sup> Gross
Actual Payload Capacity*	Up to 1800kg
Fuel Tank	60 litres
Water Tank	450 litres
Hydraulic Tank	40 litres

\*\* All Scarab Hopper Capacities are measured in accordance with European Standard EN15429

Engine Data			
Type	Deutz TCD 2.9L4	Max Power/Torque	55.4kW/300Nm @ 1200rpm
EU Emissions Level	Stage IIIB	Aspiration	Turbocharged/Intercooled

## Hydrostatic System

Variable speed control to optimise sweep performance  
 Selection of forward/reverse travel by a single lever  
 Max vehicle speed of 40mph (65kph)\*  
 Gradeability up to 25%\*  
 \*approx. dependant on conditions, options and operating mode (Local speed limits for *mobile machinery* need to be observed)

## Suction Fan

800mm diameter  
 Up to 2000rpm, low noise  
 Capacity 6900 ft<sup>3</sup>/min (195m<sup>3</sup>/min)  
 Stainless Steel standard

## Suction Nozzle

Robust all-steel construction  
 490mm mouth width  
 200mm diameter suction tube  
 Adjustable wear-resistant flaps  
 Low-Pressure water jets  
 Heavy Duty rubber-tyred wheels

## Brushes

700mm diameter polypropylene front brushes optional  
 500mm diameter steel-tined side brushes  
 320mm diameter polypropylene-segmented widesweep  
 Variable speed 60-120 rpm dependent on engine speed

## Hopper

2.1m<sup>3</sup> Nett Hopper Volume, capacity 2.5m<sup>3</sup> constructed entirely of corrosion-resistant stainless steel  
 Manually-operated rear door with safety prop  
 Twin side loading doors  
 Safety hopper prop  
 Body drains at rear of hopper  
 Stainless Steel swing-down mesh suction filter screen  
 Access for suction fan cleaning

## Hydraulic System

Zinc plated steel piping where possible  
 10 micron filters to ensure maximum protection  
 Hydraulic valve block in easily-accessible location  
 40 litre steel oil tank with 10 micron return filter  
 Low oil automatic shut-off with sight glass

## Water System

Electric low pressure water pump for dust suppression  
 Solenoid-controlled from the CAN Bus system

## Water Tank

450 litre integral stainless steel water tank  
 Sight glass with fill level indicator

## Ergonomic Cab

The fully-appointed sound insulated and rubber mounted cab includes cloth upholstered driver's and passenger seats, laminated winscreen and sliding windows in each door plus a lower glazed panel in each door for extra visibility. The cab tips for easy engine access.  
 Heated Seats and Sweeping Mirrors standard equipment

## CAN Bus Control

The Scarab proven CANbus system, in service since 2003  
 Compact panel adjacent to the driver's seat contains all controls for operating the main sweeper functions  
 LCD screen displays relevant operating data and provides system diagnostics and a fault-finding facility  
 Satellite control panel for frequently used operations mounted conveniently to hand, and incorporates the forward/reverse selector

## Sweeping Widths

Suction Nozzle only	550mm
Suction Nozzle and Side Brush	850mm
Suction Nozzle, Side Brush and and Widesweep	1570mm
Front Brush, Suction Nozzle, Side Brush and Widesweep	1740mm
Both Front Brushes, Suction Nozzle Side Brush and Widesweep	2170mm
Dual Sweep, all Brushes deployed	2340mm

## Options

A comprehensive Options List is available for the M25H, including:-  
 - Front Brushes  
 - Dual Sweep configuration  
 - High Pressure Water Pump with low level warning  
 Please contact the Scarab Sales Department for more information



SCARAB SWEEPERS LTD  
Pattenden Lane  
Marden, Tonbridge  
Kent, U.K  
TN12 9QD

T +44 (0) 1622 831006  
F +44 (0) 1622 832417

[www.scarab-sweepers.com](http://www.scarab-sweepers.com)



Dealerstamp